

# PZL 900



## PAZZAGLIA

MACCHINE PER IL VIVAISMO



**Optional:**



# PZL 900



**Kubota**  
**D 902 - 25 hp**

**Kg 970**



**0 - 10**  
km/h



**0 - 6.5**  
km/h



**STANDARD:** Sgancio rapido SR

**OPTIONAL:** Pinza fissa – Pinza con bracci articolati  
Forche – Benna ribaltabile – Spandiconcime –  
Botte diserbo – Pinza per arbusti – Tettuccio –  
Roll-bar pieghevole – Cingoli triangolari



**STANDARD:** Mechanic quick coupling

**OPTIONAL:** Mechanic clamp for pots – Hydraulic  
clamp with articulated arms – Pallet forks – Bucket –  
Fertilizer – Weed sprayer unit – Roof – Clamp for  
branches – Inclinable rollbar – Triangular tracks



**STANDARD:** Mechanische Schnellkupplung

**OPTIONAL:** Mechanische Topfzange – Hydraulische  
Topfzange mit Gelenkarmen – Palettengabel – Schaufel –  
Düngerstreuer – Spritze – Zange für Äste – Dach –  
Klappbarer – Überrollbügel – Dreiecksketten



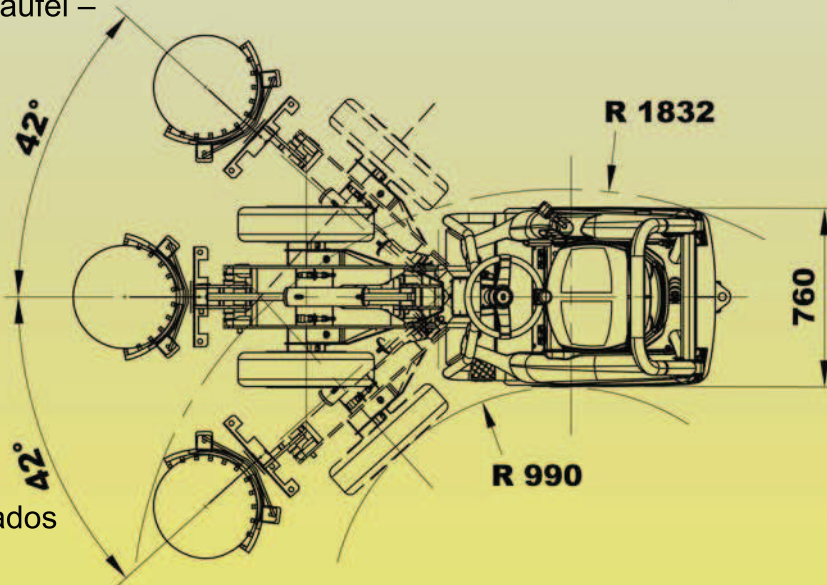
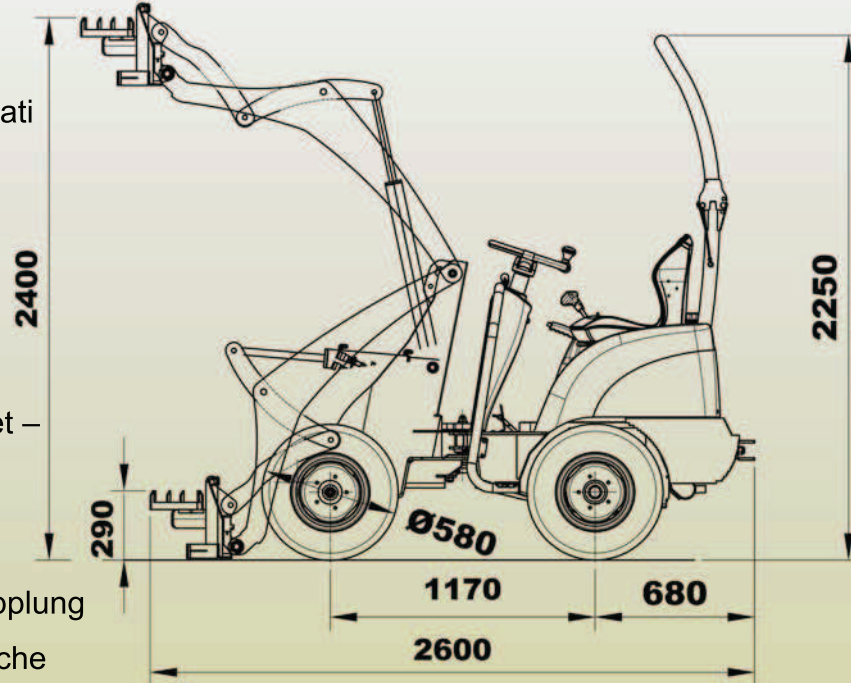
**STANDARD:** Attache rapide mécanique

**OPTION:** Pince mécanique pour pot – Pince  
hydraulique articulée pour pot – Fourche – Godet –  
Epandeur d'engrais – Fourche pour branches –  
Toit – Arceau repliable – Chenillette triangulaire



**DE SERIE:** Enganche rápido

**ACCESORIO:** Pinza fija – Pinza con brazos articulados  
Horquillas – Cazo volteable – Abonadora – Cuba  
herbicida – Pinza para arbustos – Techo – Arco  
de seguridad plegable – Cadenas triangulares



## PAZZAGLIA S.P.A.

Sede PISTOIA - Viale Europa, 91 - Casalguidi - ITALY  
Tel. +39 0573.528456 - Fax. +39 0573.520956

Filiale VENEZIA - Via Caltana, 189 - Caselle di S.Maria di Sala - ITALY  
Tel. / Fax. +39 041.5732177

e-mail: [info@pazzaglia.it](mailto:info@pazzaglia.it)

-Capacità serbatoio diesel  
-Fuel tank capacity  
-Dieseltankvolumen  
-Réservoir gashuile  
-Tanque de gasoil

**28 l**



[www.pazzaglia.it](http://www.pazzaglia.it)

